

# ENGINE POWERED ARTICULATING BOOMS LIFT JLG 450AJ 16M HEIGHT

## FEATURES

Platform height elevated 13,72 m

Overall width 1,98 m

Platform capacity 230 kg

Platform side entry  
0,76 m x 1,83 m

Multifunctional operation

Proportional hydrostatic drive control  
with thumb steer

Control for the main boom and the  
fully proportional oscillation

170 degree hydraulic platform rotator



## GLOBEN

**GLOBEN, S.L.**

C/Germán Bernácer 95

Elche Parque Empresarial

Apdo. De Correos 5154·03203 **ELCHE**

(Alicante)

Telf. **966 299 599** · Móvil 673 823 100

Fax 965 680 523 · [info@globen.es](mailto:info@globen.es)

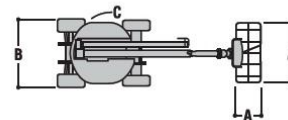
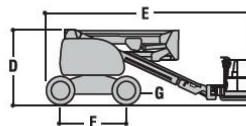
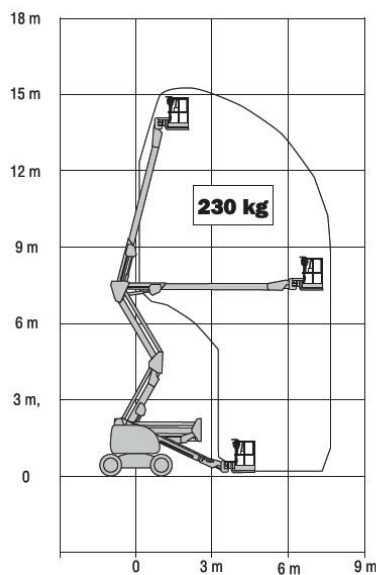
[www.globen.es](http://www.globen.es)



GLOBEN, S.L. – ENGINE POWERED ARTICULATING BOOM LIFT JLG 450AJ 16M HEIGHT-

## DIMENSIONS

<b>Platform height (elevated)</b>	<b>13.72 m</b>
<b>Horizontal outreach</b>	<b>7.47 m</b>
<b>Up and over height</b>	<b>7.67 m</b>
<b>Swing (no continuous)</b>	<b>360°</b>
<b>Platform capacity</b>	<b>230 kg</b>
<b>Platform rotator (hydraulic)</b>	<b>170°</b>
<b>Jib – Overall length</b>	<b>1.24 m</b>
<b>Jib – Range of articulation</b>	<b>145° (+78°/ -67°)</b>
<b>A. Platform size</b>	<b>0.76 m x 1.83 m</b>
<b>B. Overall width</b>	<b>2.08 m</b>
<b>C. Tailswing (work position)</b>	<b>0</b>
<b>D. Stowed height</b>	<b>2.25 m</b>
<b>E. Stowed length</b>	<b>6.53 m</b>
<b>F. Wheelbase</b>	<b>1.98 m</b>
<b>G. Ground clearance</b>	<b>0.36 m</b>
<b>Platform weight</b>	<b>7,400 kg</b>
<b>Ground bearing pressure</b>	<b>5.5 kg/cm<sup>2</sup></b>
<b>Drive speed (2WD) 4 x 2 x 2</b>	<b>5.6 km/h</b>
<b>Drive speed (4WD) 4 x 4 x 2</b>	<b>7.2 km/h</b>
<b>Gradeability (2WD) 4 x 2 x 2</b>	<b>30%</b>
<b>Gradeability (2WD) 4 x 4 x 2</b>	<b>45%</b>
<b>Tires (foam-filled tires)</b>	<b>33/1550 x 16.5</b>
<b>Axle oscillation</b>	<b>0.20 m</b>
<b>Turning radius (intern)</b>	<b>1.73 m</b>
<b>Turning radius (extern)</b>	<b>4.27 m</b>
<b>Diesel engine Deutz 404C-22</b>	<b>37 kW</b>
<b>Fuel tank capacity</b>	<b>62.5 L</b>
<b>Hydraulic tank, reservoir</b>	<b>130 L</b>
<b>Auxiliary power</b>	<b>12V DC</b>



**GLOBEN**