

ENGINE POWERED ARTICULATING BOOM LIFT JLG 510AJ 18M HEIGHT

FEATURES

Platform height elevated 15,81 m

Overall width 2,36 m

Platform capacity 230 kg

Platform side entry
0,76 m x 1,83 m

Multifunctional operation

Proportional hydrostatic drive control
with thumb steer

Control for the main boom and the
fully proportional oscillation

180 degree hydraulic platform rotator



GLOBEN

GLOBEN, S.L.

C/Germán Bernácer 95

Elche Parque Empresarial

Apdo. De Correos 5154·03203 **ELCHE**

(Alicante)

Telf. **966 299 599** · Móvil 673 823 100

Fax 965 680 523 · info@globen.es

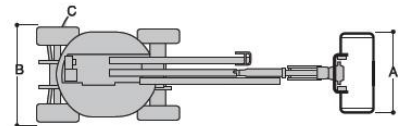
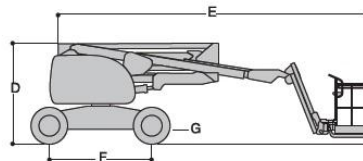
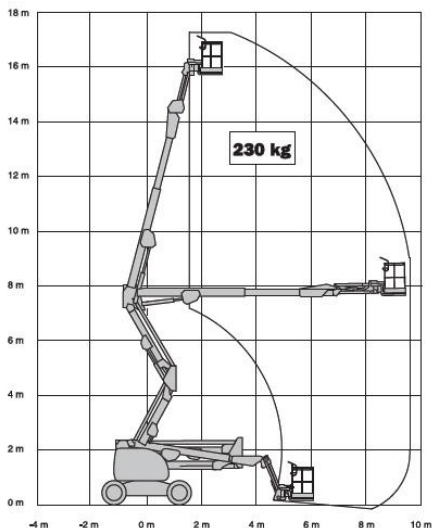
www.globen.es



GLOBEN, S.L. – ENGINE POWERED ARTICULATING BOOM LIFT JLG 450AJ 18M HEIGHT-

DIMENSIONS

Platform height (elevated)	15.81 m
Horizontal outreach	9.48 m
Up and over height	7.67 m
Swing (no continuous)	360°
Platform capacity	230 kg
Platform rotator (hydraulic)	180°
Jib – Overall length	1.24 m
Jib – Range of articulation	145° (+78°/ -67°)
A. Platform size	0.76 m x 1.83 m
B. Overall width	2.36 m
C. Tailswing (work position)	0
D. Stowed height	2.26 m
E. Stowed length	7.68 m
F. Wheelbase	2.34 m
G. Ground clearance	0.36 m
Platform weight	7,650 kg
Ground bearing pressure	5.7 kg/cm²
Drive speed 4 x 4 x 2	7.2 km/h
Gradeability 4 x 4 x 2	45%
Tires (foam-filled tires)	12 x 16.5
Axle oscillation	0.20 m
Turning radius (intern)	2.00 m
Turning radius (extern)	5.00 m
Diesel engine Deutz 404C-22	37 kW
Fuel tank capacity	62.5 L
Hydraulic tank, reservoir	130 L
Auxiliary power	12V DC



GLOBEN