

ENGINE POWERED SCISSOR LIFT

JLG 4394RT 15M HEIGHT

FEATURES

Platform height 13,10 m

Overall width 2,39 m

Platform capacity till 680 kg

Platform size 2,18 m x 3,81m

Manual deck extension 1,22 m

Fold-down handrails

Proportional hydrostatic drive control with thumb steer

Proportional lift/up

Hydraulic leveling jacks



GLOBEN

GLOBEN, S.L.

C/Germán Bernácer 95

Elche Parque Empresarial

Apdo. De Correos 5154-03203 **ELCHE** (Alicante)

Telf. **966 299 599** · Móvil 673 823 100

Fax 965 680 523 · info@globen.es

www.globen.es

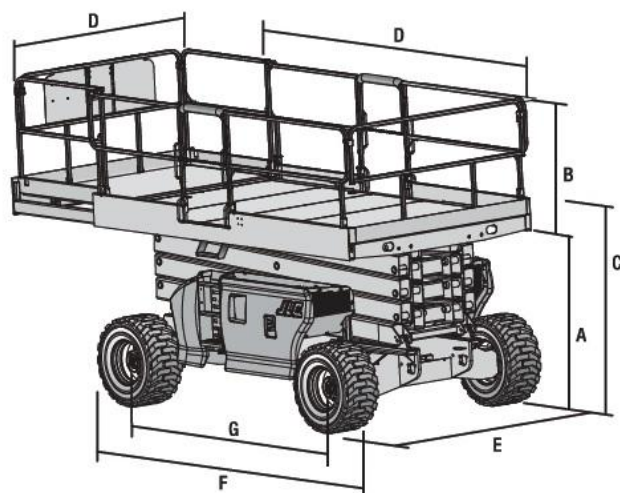


DIMENSIONS

Platform height (elevated)	13.11 m
A. Platform height (lowered)	1.79 m
B. Platform railing height	1.10 m
C. Overall height (rails lowered)	2.19 m
D. Platform size	2.18 m x 3.81 m
Platform extension (front)	1.22 m
Platform extension (rear)	1.22 m
E. Overall width	2.39 m
F. Overall length¹	3.89 m
G. Wheelbase	2.95 m
Ground clearance	0.30 m
Platform capacity	680 kg
Capacity with dual extension	565 kg
Capacity on platform extension	225 kg
Lift/lower time	40/43 sec.
Maximum drive height	13.11 m
Platform weight ²	7,100 kg
Maximum ground bearing pressure	11.90 kg/cm²
Speed	4 x 4 x 2 6.4 km/h
Gradeability	4 x 4 x 2 45%
Turning radius (intern)	2.71 m
Turning radius (extern)	5.93 m
Axle	0.20 m
Tires	33/1550 x 16.5
Diesel fuel engine	37 kW
Fuel tank capacity	119 L
Hydraulic reservoir	190 L

¹ Certain options or country standards may increase weight and / or dimensions.

² Dimensions with optional stabilizers are: length 3.37 m, width 1.79 m, weight + 360kg.



GLOBEN